

Series 9200

DATA CONVERSION AND DISTRIBUTION SYSTEM



KEY FEATURES

- Multiple Chassis Configurations:
 - 2U 19" Rack-mount Chassis
 - Holds up to 16 conversion/distribution modules
 - Multiple Daisy-Chain and Global busses
 - Optional redundant power supply
 - Single Module desktop box
 - Low-cost for "little jobs"
- Convert and distribute the following signal types:
 - TTL
 - RS-422
 - ECL
 - LVDS
 - Analog
 - RS-232
 - RS-485
 - RS-530
 - Ethernet (10/100/1000)
 - Video
 - Fiber Optic
 - Single mode
 - Multimode
 - Optical isolation
 - Unique Conversion / Distribution Applications
- Power Status Indicators

GENERAL DESCRIPTION

The GDP Space Systems' 9200 Series Data Conversion and Distribution System is a modular product that is scalable and can be user configured to convert and/or distribute a large selection of data channels.

The 9200 Series units are designed to be a costeffective and flexible solution to a wide range of signal conversion and distribution applications. The 2U 19" rack mount unit can hold up to 16 various pluggable modules, each with the ability to accept and properly terminate a variety of signal types and then convert these signals to other industry standards.

The chassis also provides a variety of global and daisy-chain buses so that signals can be received by one module and then sent to other modules in the chassis to address signal distribution applications. Figure 1 shows a simple block diagram of these chassis functions.

Small single-module units can be used for applications that require lower-cost, smaller size and lower channel count conversion and/or distribution.

Figure 2 shows a simple block diagram example of a typical conversion module. Jumpers are provided to allow any input to be directed to any output on the module. Any input can also be simultaneously directed to any of the daisy chain and global buses for mass distribution. All inputs and outputs can be independently inverted.



Series 9200

DATA CONVERSION AND DISTRIBUTION SYSTEM

GENERAL SPECIFICATIONS

SIZE	(W x D x H) 19" x 10.5" x 3.5"; 2U high
SLOT	16 card slots LEDs Power 1, Power 2
FAN	2 x FAN
WEIGHT	Single AC Power supply: 9 lbs. Dual AC Power supply: 10.5 lbs.
POWER REQUIREMENT	100-240V AC, 1.5A, 50-60Hz, 440Hz
POWER CONSUMPTION	10 Watts (1 x power supply, does not include modules) 80 Watts (Full loading)
OPERATE ENVIRONMENT	20° to 70°C, 5% to 90%RH
STORAGE ENVIRONMENT	40° to 85°C, 5% to 90%RH 2 x FAN

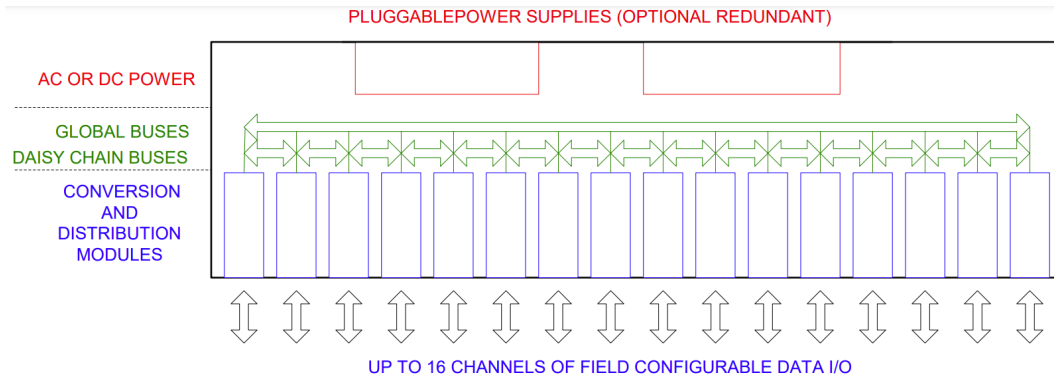


Figure 1

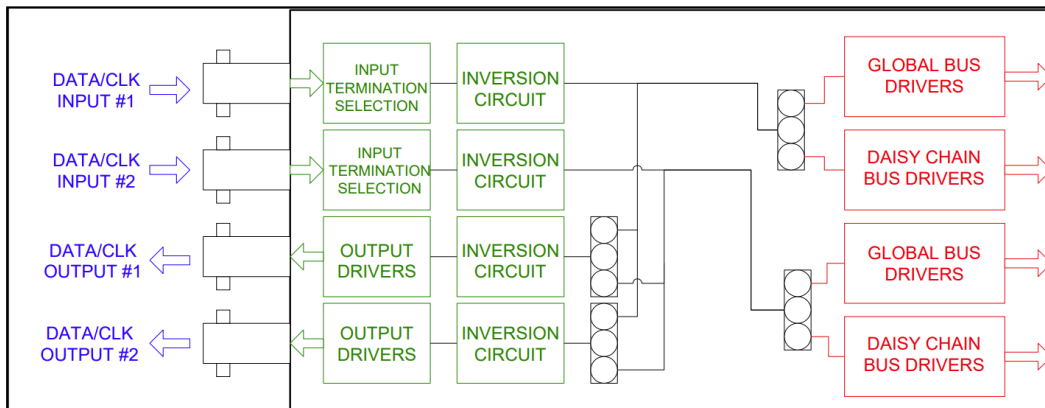


Figure 2

WHY GDP

Recognizing that no standard product can meet all the needs of all users, GDP stands ready to provide units tailored to unique applications. Over fifty years of experience, far-ranging expertise, excellent products, and outstanding support make GDP not just a telemetry system supplier, but a partner you can rely on to meet your needs.

[Inquire today to learn more .](#)